

**COMPACT
PNEUMATIC CYLINDERS
PK-A SERIES Ø125- Ø320**



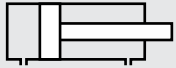


PK-A SERIES

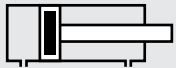
COMPACT - Ø125 - Ø320

COMPACT MAGNETIC CYLINDER

NEED HIGHER POWER IN
A TIGHTER SPACE?
PK-A IS A PERFECT CHOICE.



PK: COMPACT CYLINDERS
WITH DOUBLE ACTING



PK-A: MAGNETIC COMPACT
CYLINDERS WITH DOUBLE ACTING

Example of order:

PK-A
Product Code

125-025
Cylinder Ø
Stroke

K1 M1
Variants from
Standard System

VARIANTS FROM STANDARD SYSTEM:

- R1: Stainless Steel Piston Rod (SS 304-SS 316)
- R4: Stainless Steel Nut for Piston Rod (SS 304)
- M1: Extended male Piston Rod Thread
- M3: Special Piston Rod Thread
- M4: Extended Piston Rod
- K1: Seals for Max. 150° C (Viton)
- K2: Piston Rod Seal NBR + PA
- K4: Piston Rod Seal Viton

Force:

Cylinder Ø mm	Rod Ø mm	Thrust and traction forces (6 Bar)	
		Thrust Force (N)	Traction Force (N)
125	30	7350	6936
160	40	12050	11304
200	40	18840	18086
250	40	29430	28680
320	50	48230	47050

Working Fluid:

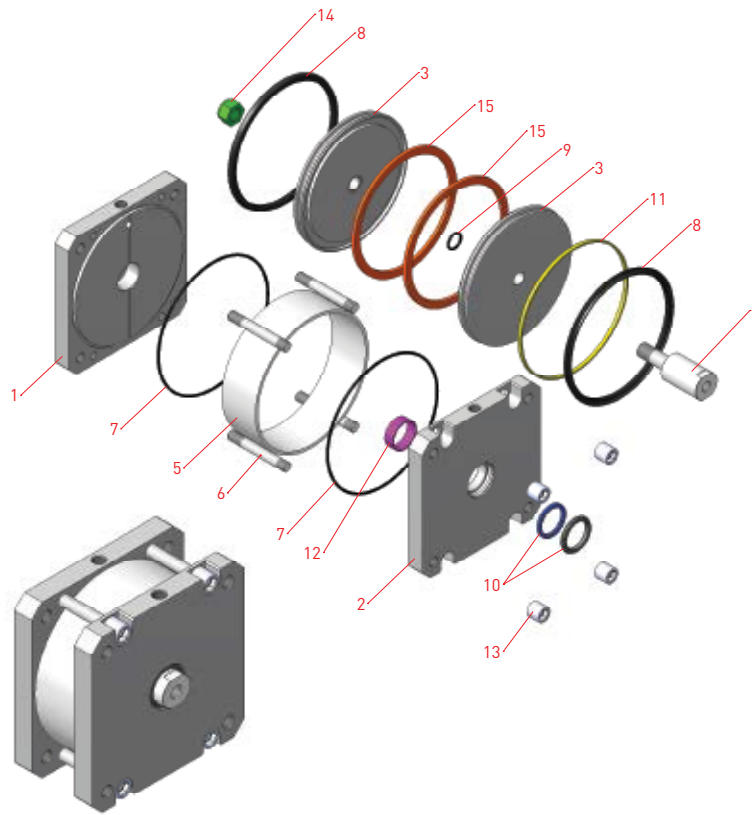
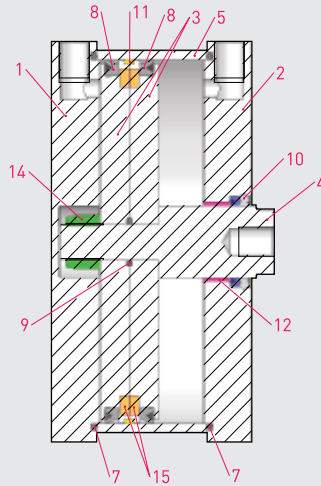
Filtered and lubricated or filtered and not lubricated air

Operating Temperature Range:

NBR + Polyurethane (PU): (-20°C) - (+80°C)
Viton (FKM) : (-30°C) - (+180°C)

Max. Work Pressure:

10 Bar

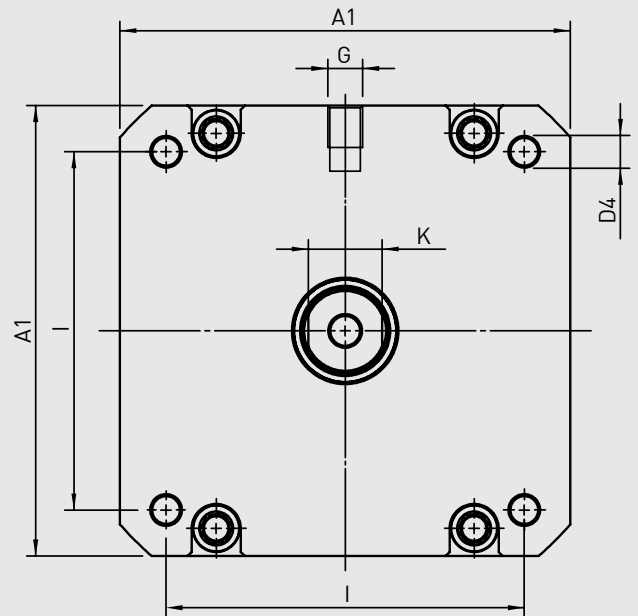
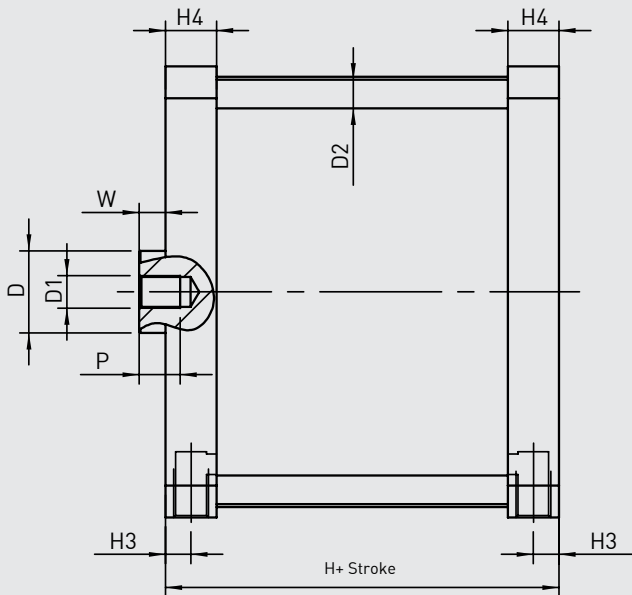


No	MATERIAL NAME	CHARACTERISTIC	PC.
1	Rear Head	Al. + Eloxal Plated	1
2	Front Head	Al. + Eloxal Plated	1
3	Middle Piston	Aluminium	2
4	Piston Rod	CK 45 Hard Chrome Plated	1
5	Tube	Al Mg Si 0,5 + Eloxal Plated	1
6	Tie-Rod	SS 304	4
7	Head O-ring	NBR	2
8	Piston Seal	NBR	2

No	MATERIAL NAME	CHARACTERISTIC	PC.
9	Middle Piston O-ring	NBR	1
10	Rod Seal	PU+Hytrek	1
11	Guiding Band	Carbon Teflon	1
12	Guiding Bush	CSB-40	1
13	Head Nut	SS 304	4
14	Fibre Nut	Galvanized Steel	1
15	Magnet	Ø125-Ø160 Ø200-Ø250-Ø320	1 2



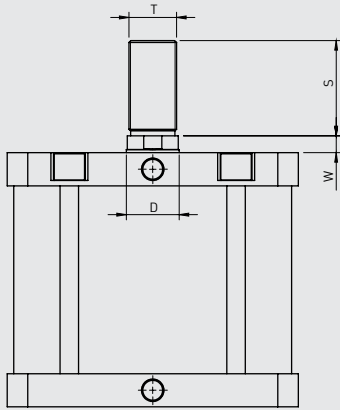
PK-A SERIES
COMPACT - Ø125 - Ø320



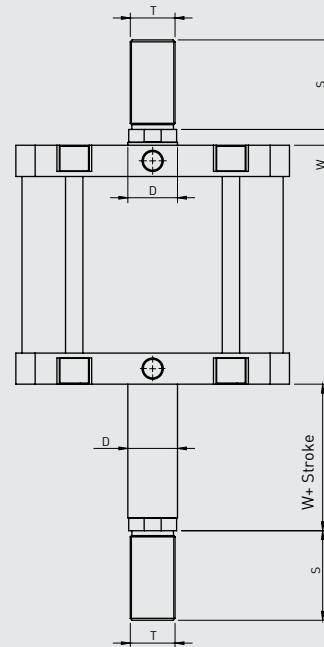
Cylinder Ø mm	A1	D Ø	D1	D2 Ø	D4	G	H	H3	H4	I	K	P	W
125	145	30	M14	10	M12	1/4"	78	10	22	110	27	25	10
160	180	40	M20	12	M16	3/8"	87	12,5	25	140	36	30	12
200	220	40	M20	14	M16	3/8"	87	12,5	25	175	36	30	12
250	270	40	M24	16	M20	1/2"	116	15	33	220	36	35	12
320	340	50	M30	16	M24	1/2"	120	16	34	270	46	40	15



PK-T



PKD-T



Cylinder type	Cylinder Ø mm	D	S	T	W
	125	30	54	M27x2	10
	160	40	72	M36x2	12
PK-PKD	200	40	72	M36x2	12
	250	40	72	M36x2	12
	320	50	84	M42x2	15